

deSIGN 42 / Accessories

Bracket SR



Part No.: 960.694.01

MECHANICAL DATA	
Length	50 mm
Width	50 mm
Height	35 mm
Diameter	23 mm
Housing colour	Silver
Weight with packaging	37 g
Product weight	37 g

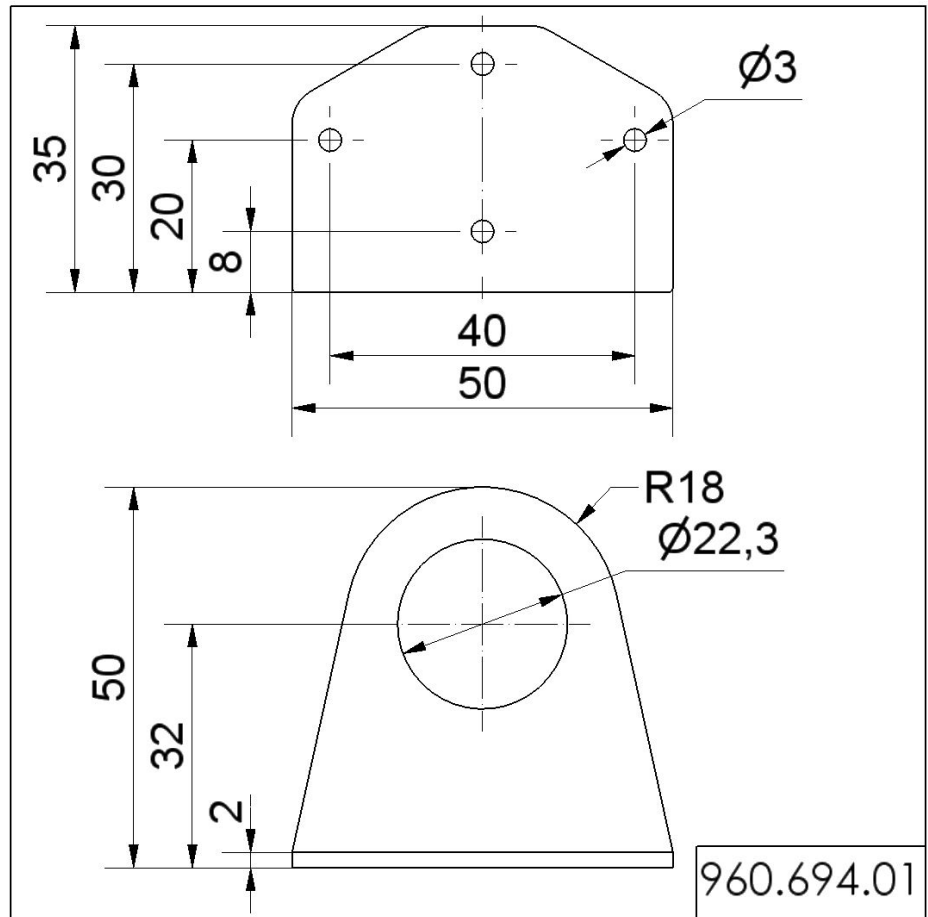
APPROVAL DATA	
WEEE	No
Conforms with RED directive	No
Conforms with ATEX-directive	No
Conforms with CCC	No
Conforms with UL	No
Conforms with FCC	No
Conforms with IC	No
EAC certificate available	No
Conforms with AS-I	No
ICAO Certification	No
Conforms with DNV	No
Conforms with RoHS CN	No

! For additional installation and mounting information, refer to the appropriate user guide at www.werma.com. This printed copy is for information only and is subject to alteration.

deSIGN 42 / Accessories

Bracket SR

DRAWING



! For additional installation and mounting information, refer to the appropriate user guide at www.werma.com. This printed copy is for information only and is subject to alteration.